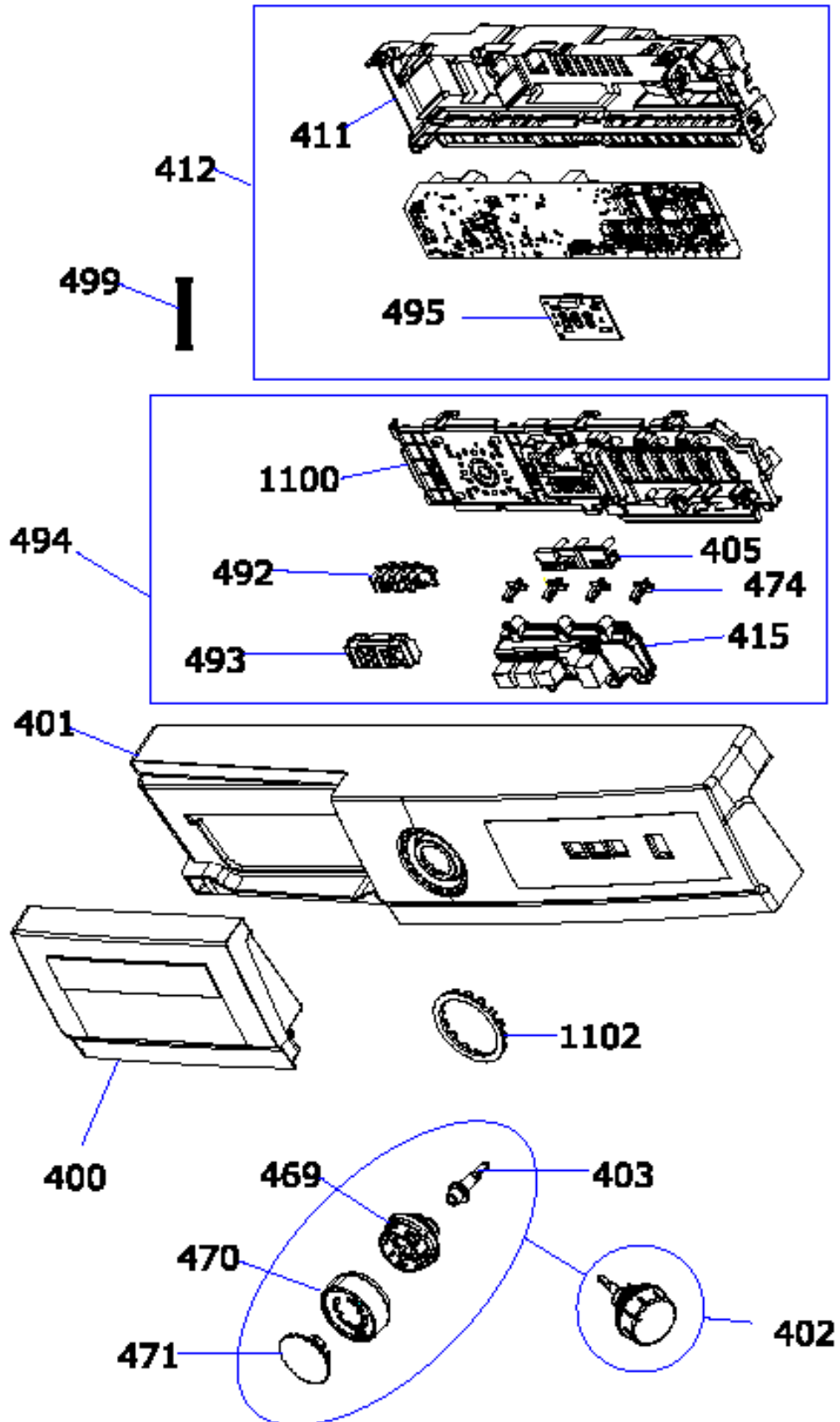
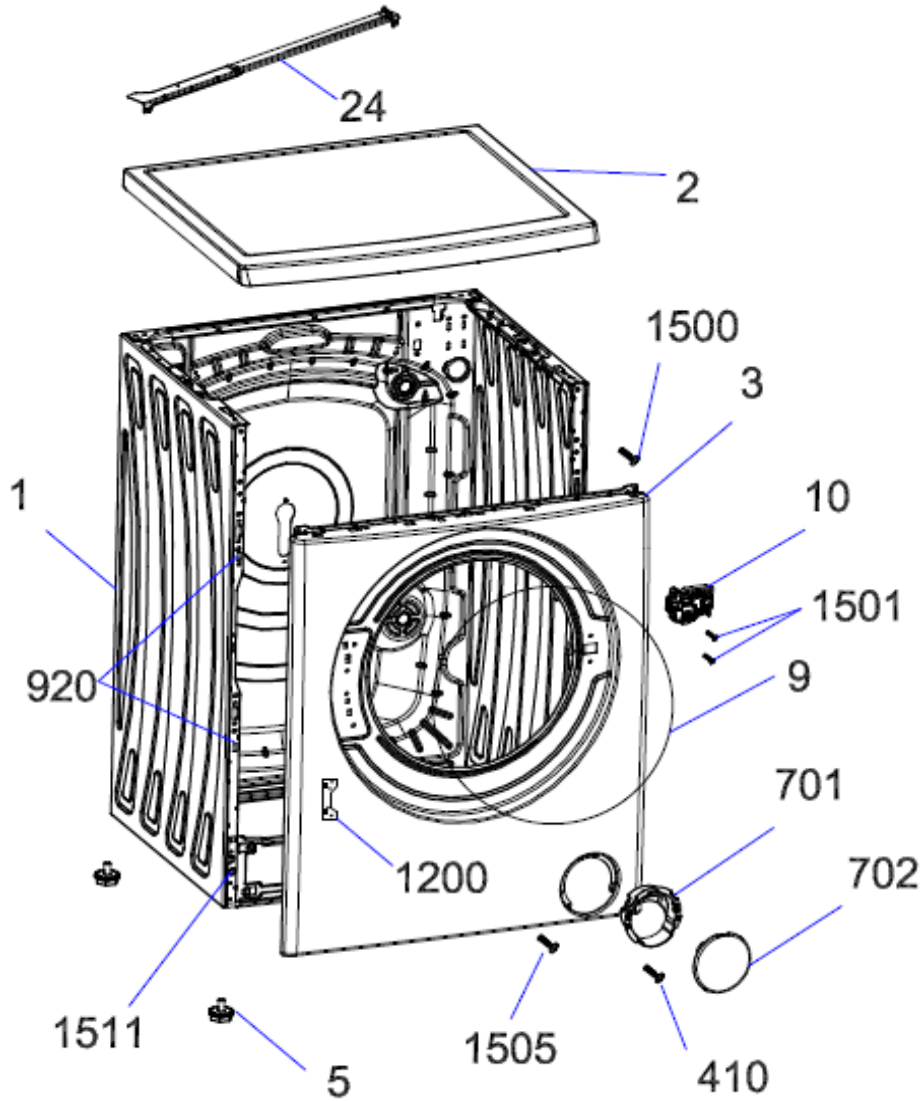


## CONTROL PANEL PARTS



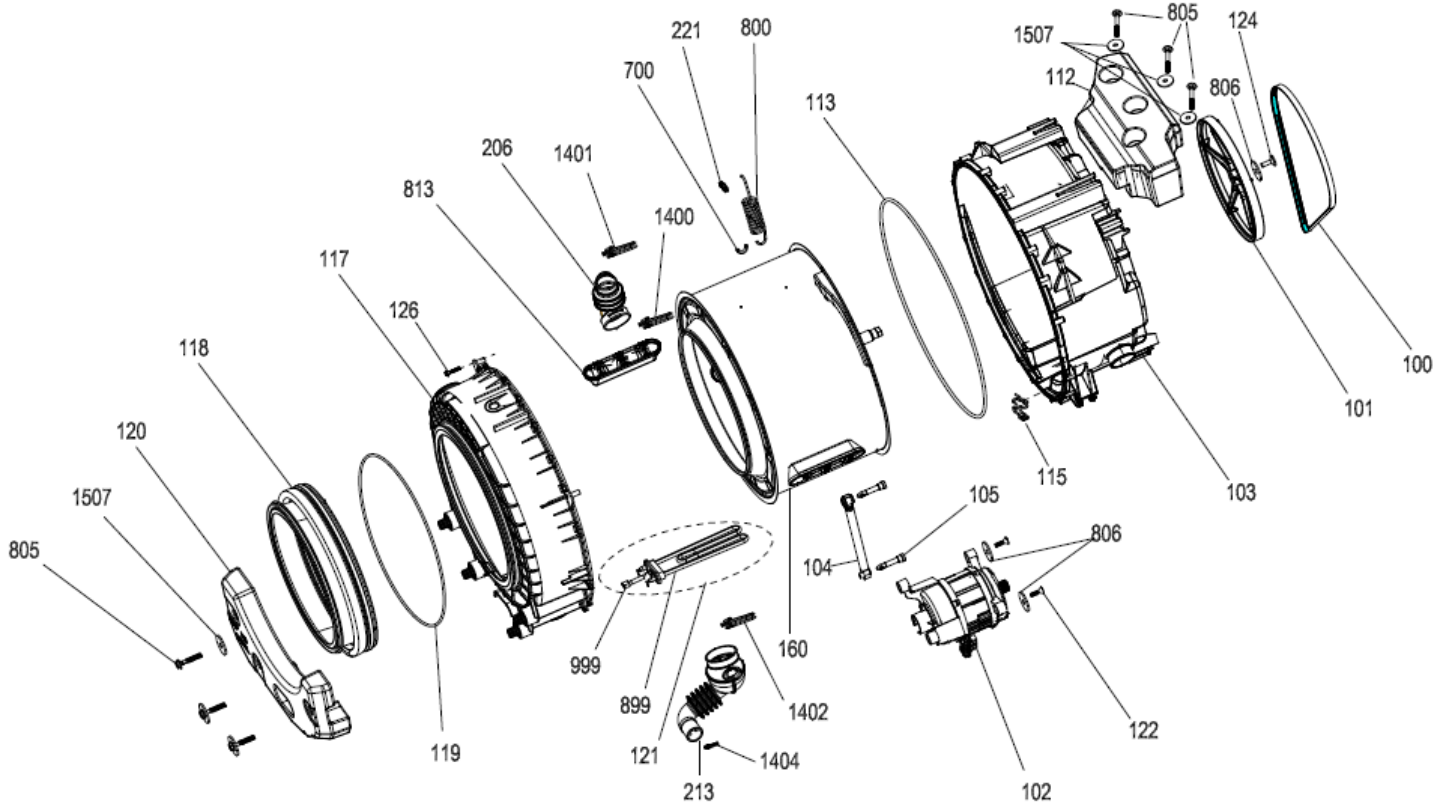
NO	PART NAME	QUANTITY
400	DETERGENT DRAWER COVER	1
401	CONTROL PANEL	1
402	PR. ADJUSTMENT KNOB GR (470+471)	1
403	PROGRAMME ADJUSTMENT SHAFT	1
405	LIGHT GUIDE DUO	1
411	PCB BOX	1
412	ELECTRONIC CARD	1
415	TRIPLE SELECTION BUTTON	1
469	PROGRAM ADJ. INSERT	1
470	PROGRAM ADJ. KNOB	1
471	PROGRAM ADJ. KNOB COVER	1
474	BUTTON SHAFT/T SERIES	4
492	DISPLAY 1888 LIGHT GUIDE	1
493	DISPLAY 888 COVER/PARDUS	1
494	PCB COVER-SEÇ.BUT.GR.	1
495	T1/T2 CARD GR.AMBER	1
499	LCD COMMUNICATION CABLE-MECHANICAL	1
500	CONTROL PANEL GROUP ( indicated for the website)	1
1100	PCB BOX REAR COVER	1
1102	LIGHTGUIDE INSERT	1

**\*469-470-471-1102 “This spare part is optional and depends on agreed specifications. Therefore you may not find this position number in product’s spare part list.”**

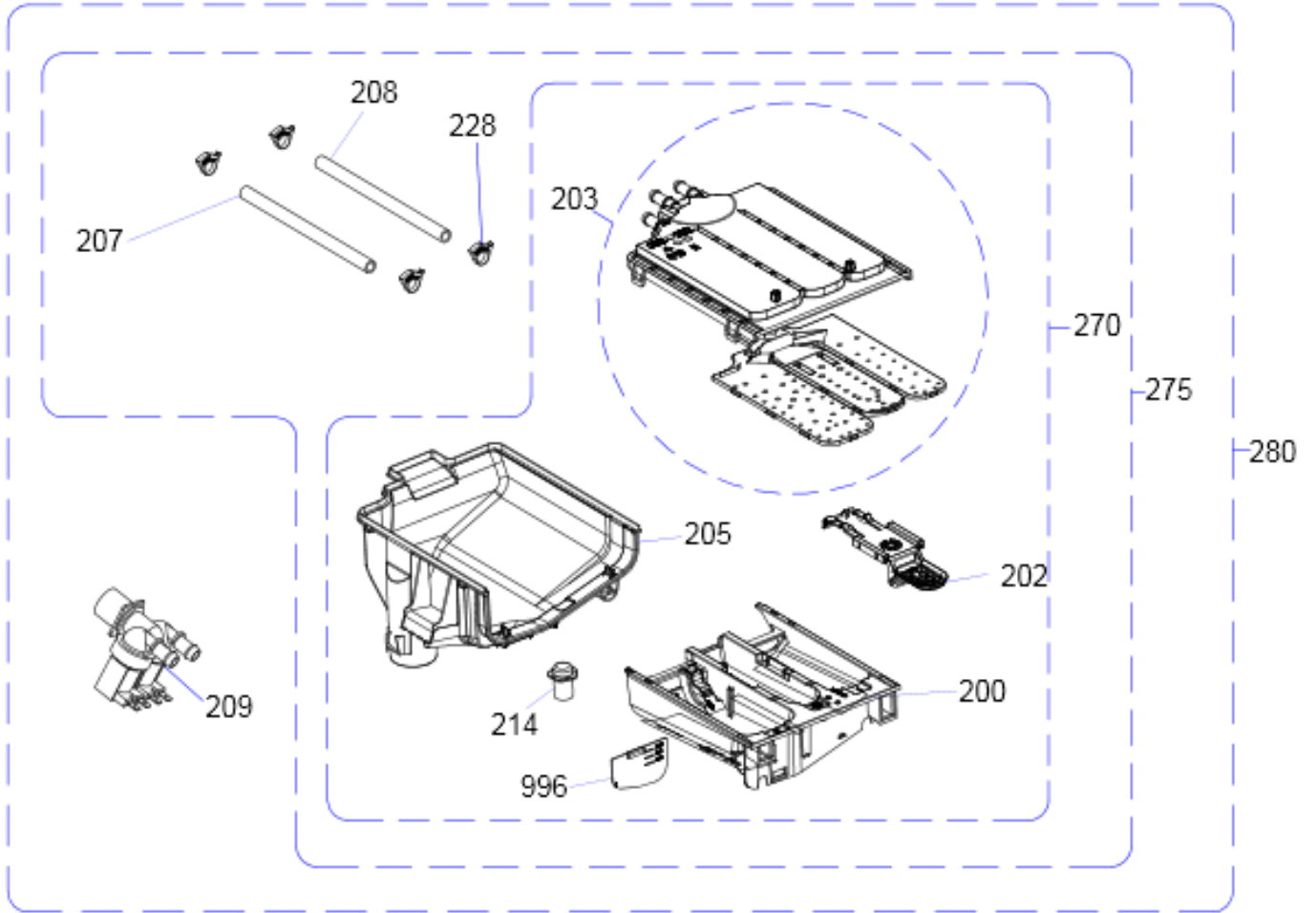
**FRONT PANEL PARTS**

REF. NO	PART NAME	QTY
1	BODY GROUP PAINTED	1
2	UPPER TRAY GROUP	1
3	FRONT PANEL GROUP	1
5	ADJUSTABLE FEET GR.	4
9	HOUSING FRAME BELLOW CLIP-PHYTON	1
10	DOOR LOCK	1
24	UPPER SUPPORT BRAKET	1
701	PUMP COVER HOUSING	1
702	PUMP COVER	1
920	FRONT PANEL DROP FIXING PLASTIC-II	4
1200	HINGE SUPPORT SHEET	1
1500	ST 4,2X9,5 TRTSB	2
1501	ISO 7049 ST 4,2X16 TORX	2
1504	ISO 7049 ST 4,2X13 TORX	4
1505	ST 4,8X9,5 PAN HE. WITH COL. TORX UN.SER.E	2
1511	FRONT PANEL DROP FIXING PLASTIC-I-B	2
410	SCREW 4X12 TORX PAN HE.W.COL.UND.HE.SER.	1

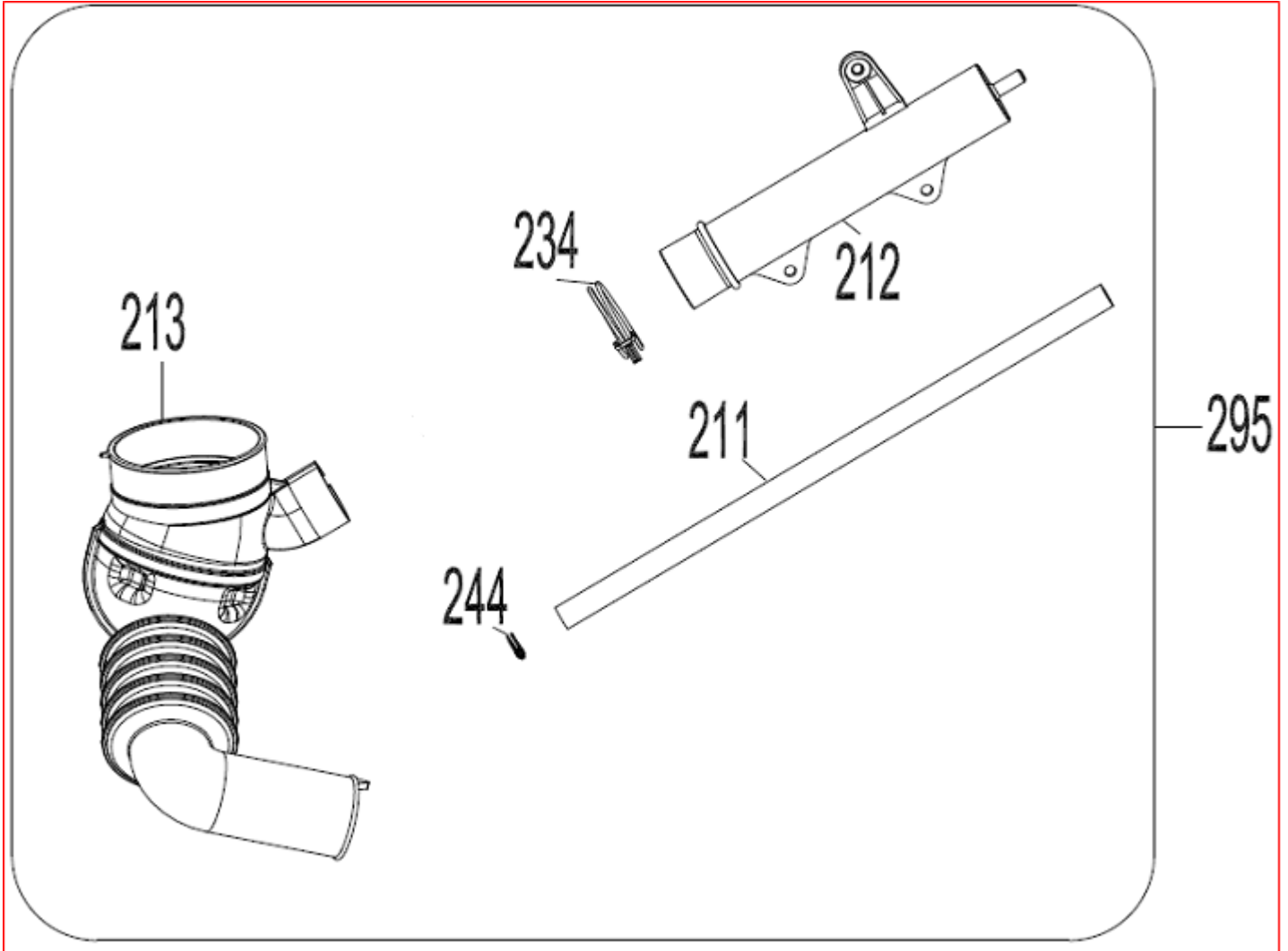
## WASHING GROUP PARTS



REF. NO	DESCRIPTION	QTY
100	BELT	1
101	DRIVEN PULLEY	1
102	MOTOR	1
103	REAR TUB GROUP	1
104	SHOCK ABSORBER	2
105	SHOCK ABSORBER PIN-2	4
112	UPPER CONCRETE WEIGHT	1
113	TUB SEAL	1
115	RESISTANCE FIXING WIRE	1
117	FRONT TUB	1
118	TUB BELLOWS SEAL	1
119	TUB GASKET CLIP	1
120	FRONT CONCRETE WEIGHT	1
121	RESISTANCE GR	1
122	HEXAGON HEAD BOLT 8X30	2
124	HEX.HEAD BOLT M8X20	1
126	HEXAGON HEAD BOLT M6X22	19
160	DRUM GROUP	1
206	TUB ENTERANCE WITH BELLOW HOSE	1
213	TUB EXIT BELLOW HOSE WITH BALL	1
221	HANGER SPRING SHEETIRON PLS.	2
700	TUB HANGER SPRING PART	2
800	HANGER SPRING(SLIM)	2
805	HEXAGON HEAD BOLT 10X52 TYPE 2	3
806	PLAIN WASHER 8.4X28X3	3
813	PLASTIC LIFTER	3
899	RESISTANCE WITHOUT NTC	1
901	PLAIN WASHER 10.5X40X2.5	3
999	NTC TEMP SENSOR	1
1400	SCREWED HOSE CLAMP Ø65	1
1402	HOSE CLAMP SCREW TYPE Ø72	1
1404	HOSE CLAMP Ø35,0	1
1507	PLAIN WASHER 10.5X40X2.5	6

**DETERGENT DRAWER GROUP**

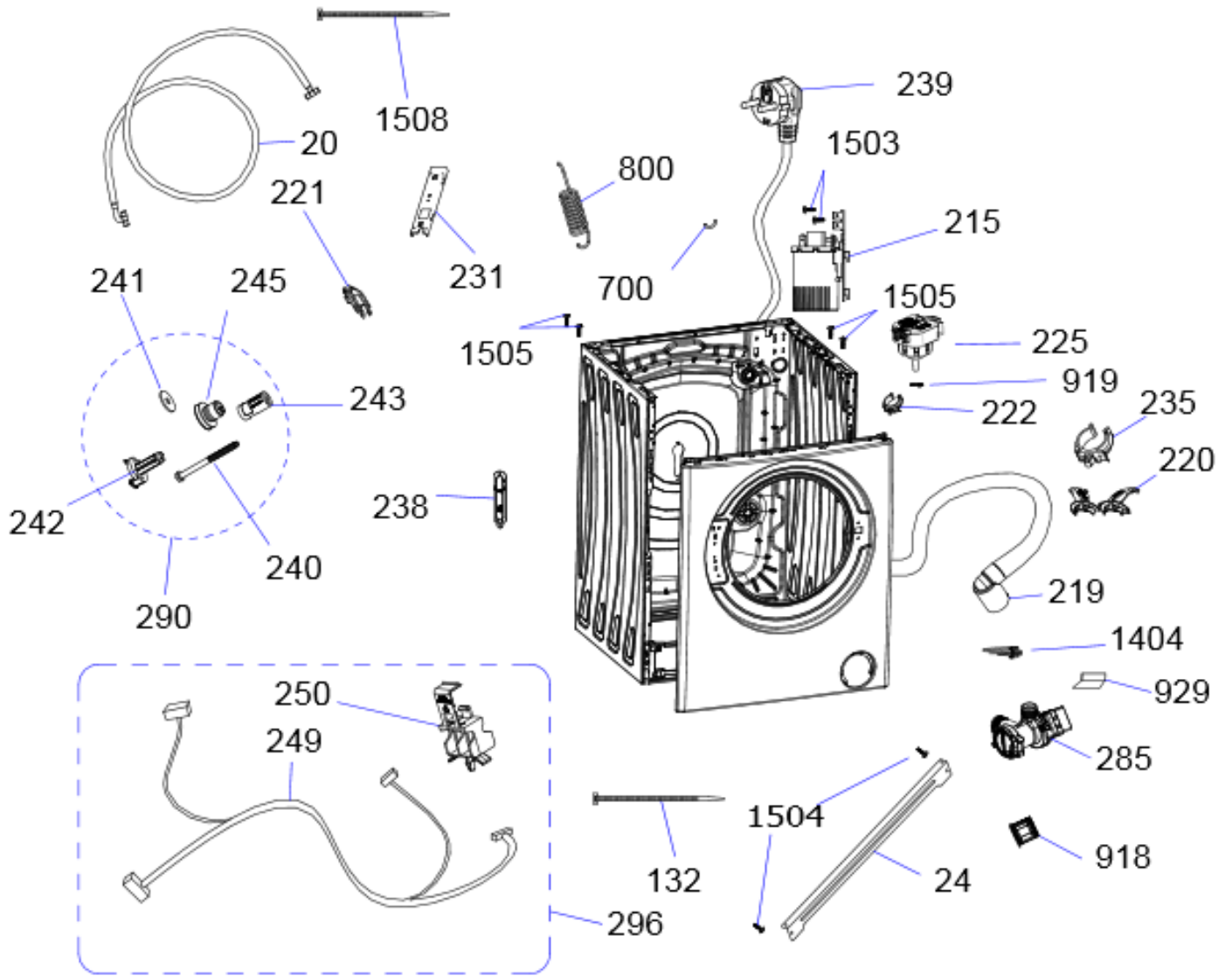
NO	PART NAME	QUANTITY
200	DETERGENT DRAWER	1
202	SIPHON COVER	1
203	WATER DISTRIBUTION PLATE GROUP	1
205	DETERGENT DRAWER HOUSING	1
207	VALVE-DETERGENT BOX HOSE	1
209	VALVE(TWO EXIT)	1
214	DETERGENT DRAWER LOCKING PART	1
228	PLASTIC HOSE CLAMP	6
996	LIQUID DETERGENT LEVEL PLATE	1
270	DETERGENT BOX GROUP	1
275	DETERGENT BOX GROUP/HOSE	1
280	DETERGENT BOX GROUP/FULL	1

**PRESSURE SWITCH HOSE GROUP**

NO	PART NAME	QUANTITY
213	TUB EXIT WITH BELLOW HOSE	1
212	PRESSURE SWITCH WATER RESERVOIR	1
211	PRESSURE SWITCH HOSE	1
234	HOSE CLAMP Ø32,7	1
244	HOSE CLAMP Ø9,6	1
295	PRESSURE SWITCH HOSE GROUP	1

213-212-211-234-244----- PRESSURE SWITCH HOSE GROUP

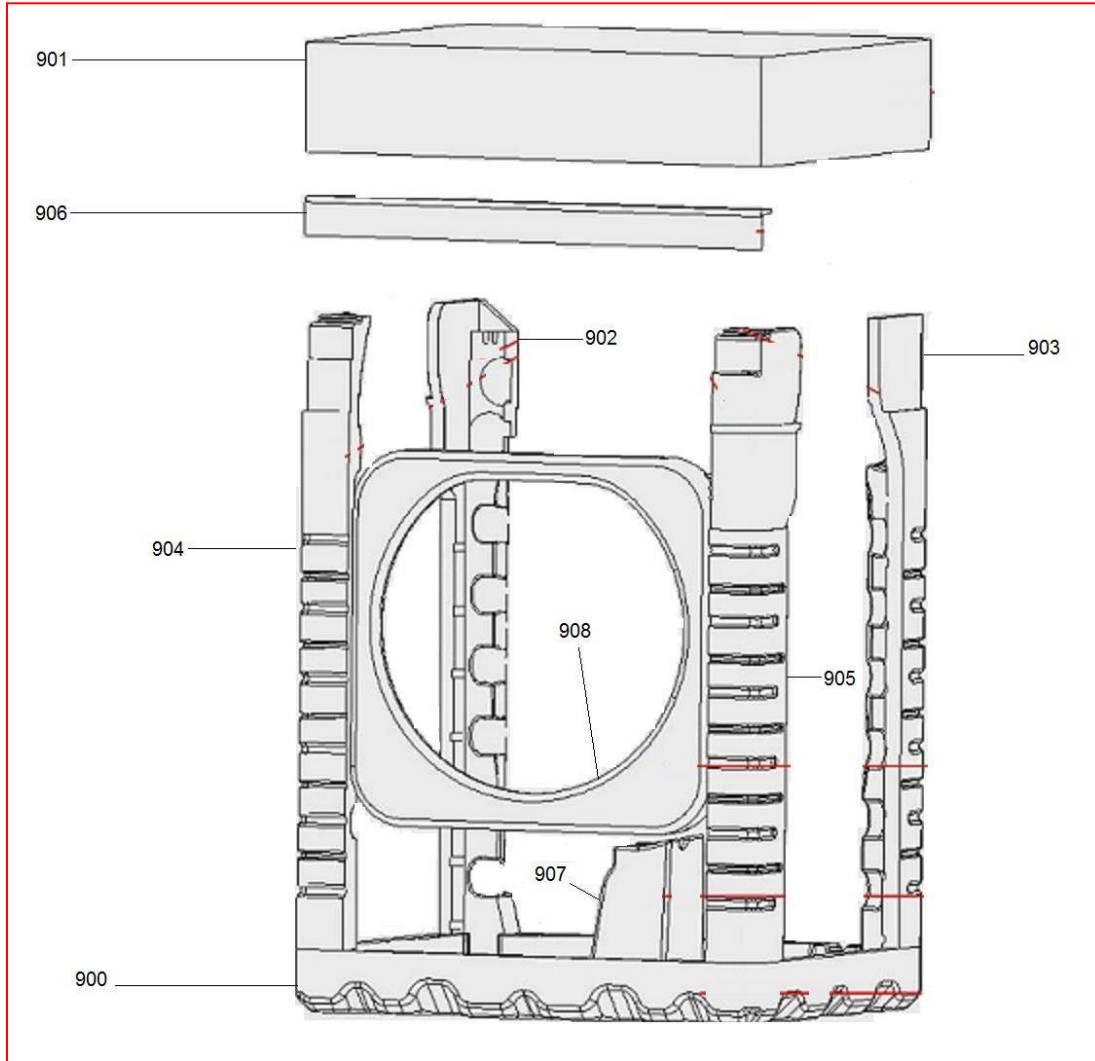
## BODY GROUP PARTS



REF. NO	PART NAME	QTY
20	WATER ENTRY HOSE GROUP	1
24	UPPER SUPPORT BRACKET	1
285	PUMP GROUP	1
220	DRAIN HOSE ROUTER PLASTIC	1
219	DRAIN HOSE	1
225	ELECTRONIC PRESSURE SENSOR	1
215	EMI FILTER	1
296	CABLE GR	1
249	CABLE HARNESS	1
250	CABLE HARNESS HOLDER PLS	1
331	LOCKING WIRE SADDLE (BLUE)	1
800	TUB SPRING	2
231	BODY SUPPORT SHEETIRON	2
221	HANGER SPRING BRACKET PLS.	2
700	TUB HANGER SPRING PART (PLASTIC HOUSING PART BETWEEN TUB AND SPRING HOOK)	2
235	DRAIN HOSE HOLDING PLS	4
239	POWER CORD GROUP	1
222	PRESSURE SWITCH MOUNTING CLIP	1
238	SPEED CONTROL HOLE STOPPER	1
290	TRANSPORT SCREW GROUP-II	4
242	TRANSPORT SCREW PLASTIC-A-II	4
243	TRANSPORT SCREW PLASTIC-B-II	4
240	TRANSPORT SCREW	4
245	TRANSPORT SCREW EPDM	4
241	PLAIN WASHER 8,30X29X2	4
132	CABLE TIE(YKB150)	4
918	PUMP FILTER	1
919	HOSE CLAMP Ø8,6	1
1404	HOSE CLAMP Ø35,0	1
1503	ST 4,2X9,5 PAN HEAD W.COL.T.UNDER.SER.EA	2
1504	ISO 7049 ST 4,2X13 TORX	4
1505	ST 4,2X9,5 TRTSB	4
1508	CABLE TIE(YKB150)	1

\* 929 “This spare part is optional and depends on agreed specifications. Therefore you may not find this position number in product’s spare part list.”



**PACKAGING GROUP**

NO	PART NAME	QUANTITY
900	BOTTOM STYROFOAM	2
901	TOP CARTON	1
902	REAR STYROFOAM(LEFT)	1
903	REAR STYROFOAM(RIGHT)	1
904	FRONT STYROFOAM LEFT	1
905	FRONT STYROFOAM RIGHT	1
906	CORNER CARDBOARD	1
907	TUB SUPPORT STYROFOAM	1
908	PORTHOLE PRO. STYROFOAM	1

\* 908“This spare part is optional and depends on agreed specifications. Therefore you may not find this position number in product’s spare part list.”

## ACCESSORIES



995

996

997

998

NO	PART NAME	QUANTITY
995	ENERGY LABEL	1
996	LIQUID DETERGENT LEVEL PLATE	1
997	DRAIN HOSE COAT RACK	1
998	TRANSPORT SCREW STOPPER	4

\* 997 “This spare part is optional and depends on agreed specifications. Therefore you may not find this position number in product’s spare part list.”